



REFRIGERATION

SERVING THE FOOD INDUSTRY SINCE 1951

128 L COUNTERTOP CURVED GLASS REFRIGERATED DISPLAY

Item: 44260 Model: RS-CN-0128-A



Model RS-CN-0128-A shown

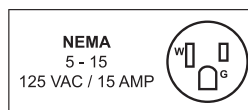
ATTRACTIVELY DISPLAY FOOD MERCHANDISE AND INCREASE IMPULSE SALE

Omcan's Countertop Curved Glass Refrigerated Display is perfect for supermarkets and sandwich shops. Features an attractive smooth finish, curved glass, and stainless steel body. Comes with digital temperature controller and automatic defrost system. The sliding doors at the back allow for easy access to product while still maintaining the quality of the refrigerated merchandise.



WARRANTY

1 YEAR PARTS AND LABOR
5 YEARS PARTS ON COMPRESSOR



Authorized Dealer

REFRIGERATION

128 L CURVED GLASS REFRIGERATED DISPLAY
ITEM 44260 | MODEL: RS-CN-0128-A



Item 44260 shown

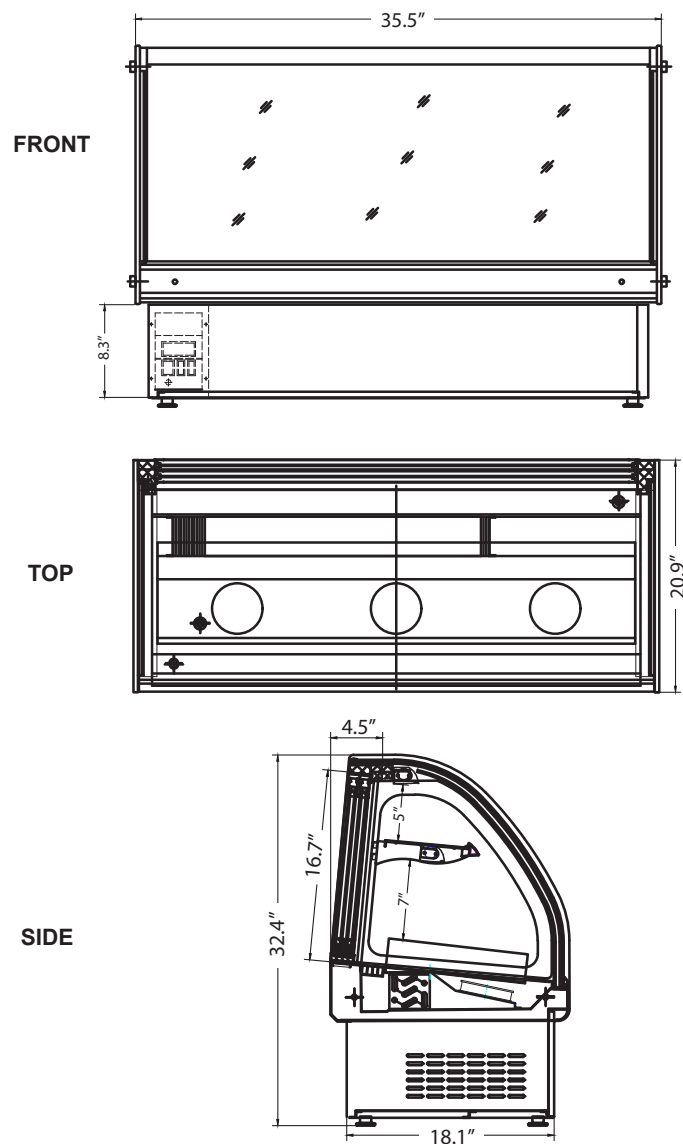
TECHNICAL SPECIFICATIONS

| | |
|---------------------------|--|
| ITEM NUMBER | 44260 |
| MODEL | RS-CN-0128-A |
| TEMPERATURE RANGE | 2°C - 5°C / 36°F - 41°F |
| CAPACITY (L / CU. FT.) | 128 L / 4.52 cu. ft. |
| POWER | 0.455 kW |
| CURRENT | 2.82A |
| REFRIGERANT | R134a |
| NO. OF SHELVES | 2 |
| ELECTRICAL | 110V / 60Hz / 1Ph |
| INTERIOR DIMENSIONS (DWH) | 14.25" x 33" x 15" / 361.95 x 838.2 x 381 mm |
| DIMENSIONS (DWH) | 20.86" x 35.5" x 32.36" / 529.8 x 901.7 x 822 mm |
| PACKAGING DIMENSIONS | 24.8" x 39.4" x 38.6" / 629.92 x 1000.76 x 980.44 mm |
| GROSS WEIGHT | 220 lbs. / 99.8 kg. |

FEATURES

- Two sliding doors in the back
- #304 Stainless Steel exterior and interior
- Forced air circulation system
- High quality digital temperature controller
- Middle or high back pressure hermetic compressor
- Automatic defrost system
- R134a Gas, Ozone friendly

TECHNICAL DRAWINGS AND DIMENSIONS



OMCAN INC.

Telephone: 1-800-465-0234
Fax: (905) 607-0234
Email: sales@omcan.com
Website: www.omcan.com



Follow us to keep up to date with the latest news and offers

